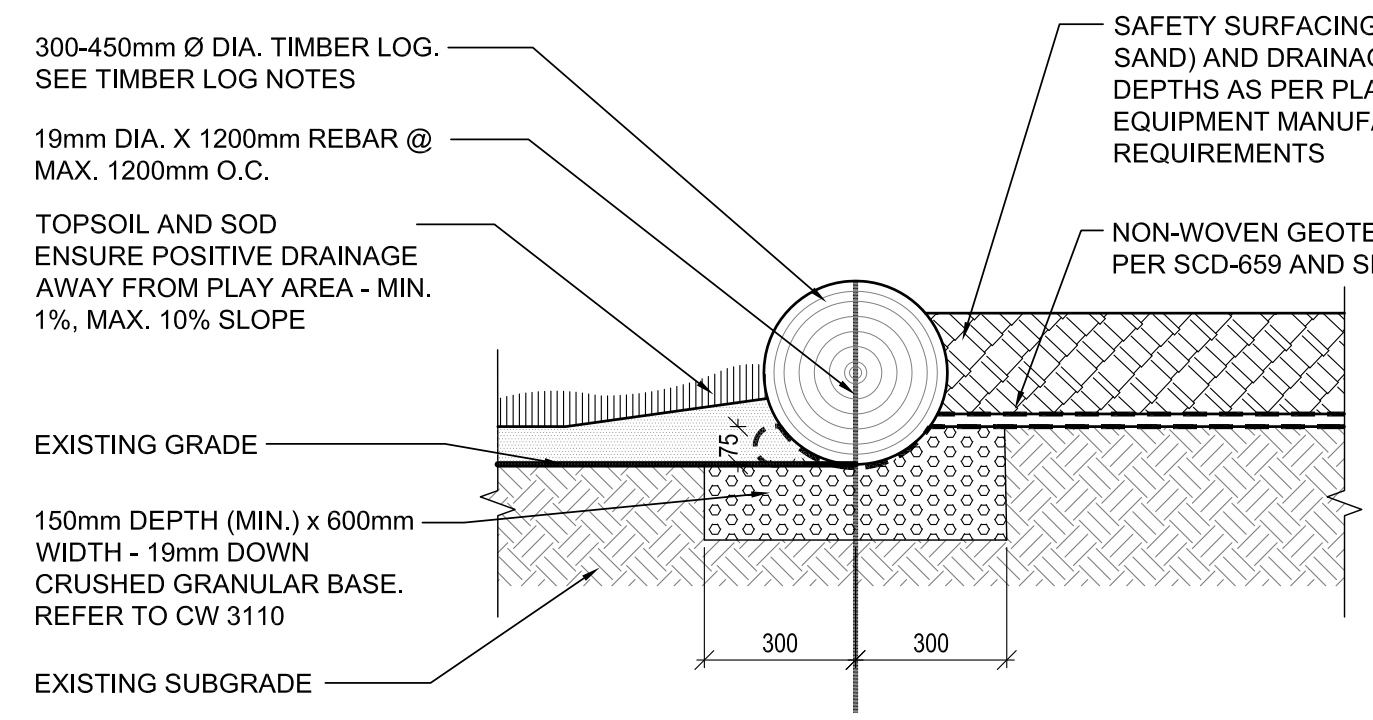


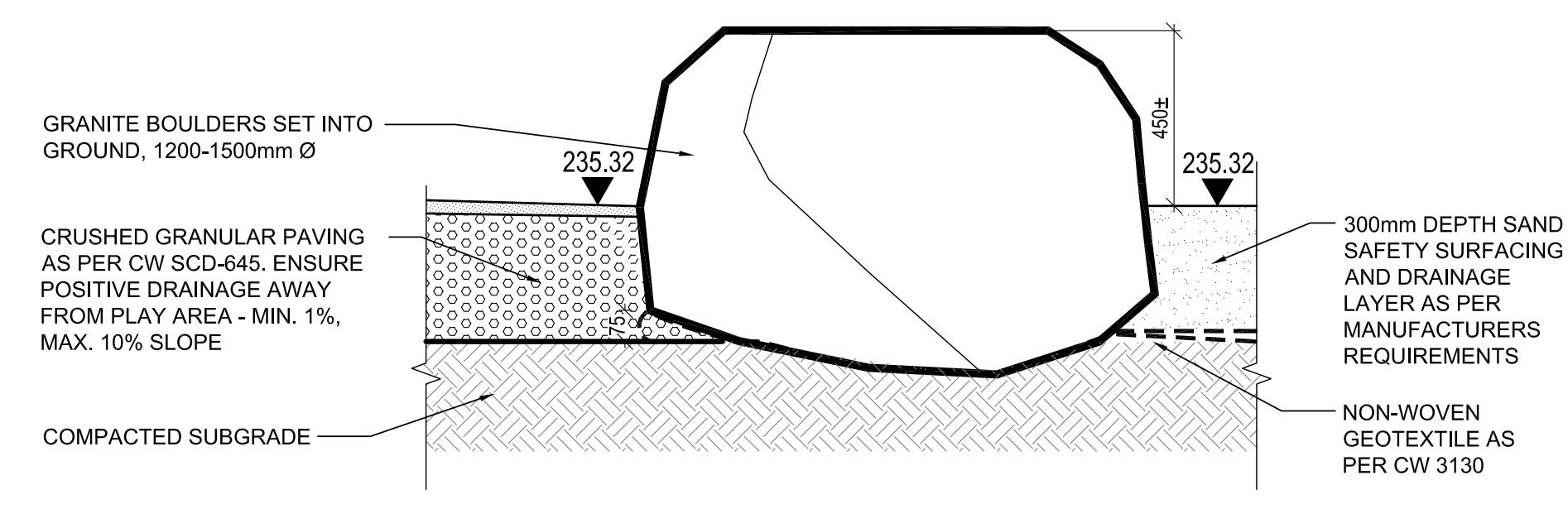
pbscale - 1:1 (metric)
 sheet size - Super A1 24" X 36"
 CAD File Name: legion memorial park playground_l6-7_details.dwg



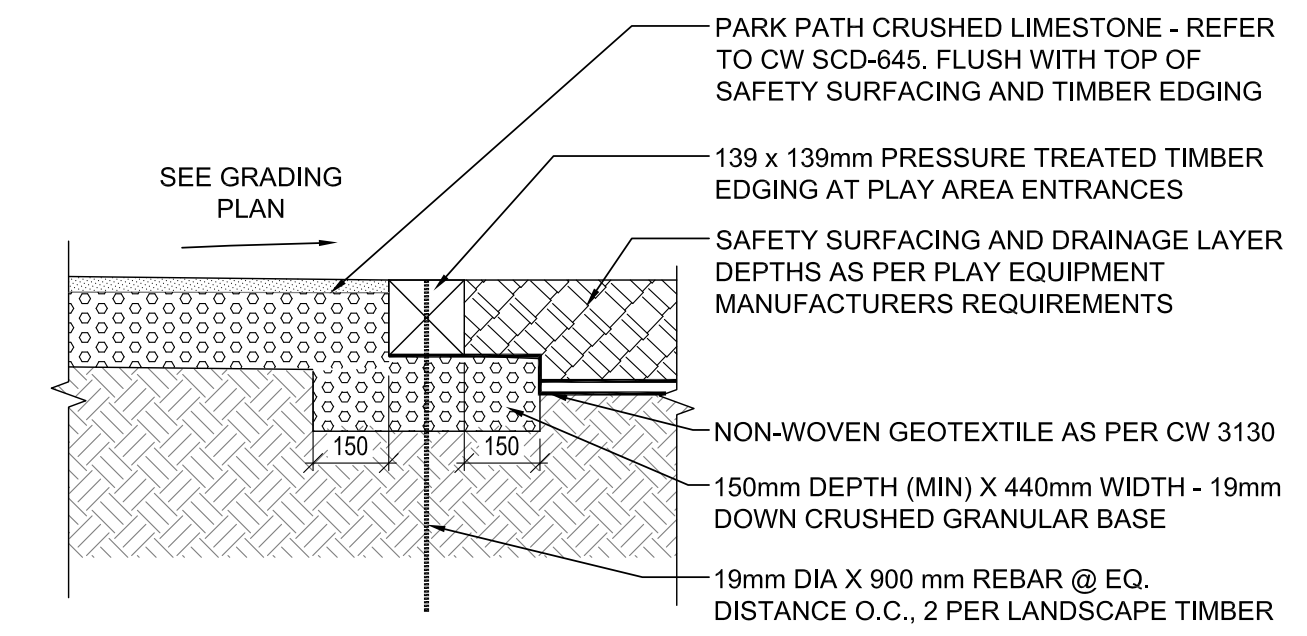
1
L6 **TIMBER LOG EDGE SECTION**
SCALE - 1 : 15

TIMBER LOG NOTES:

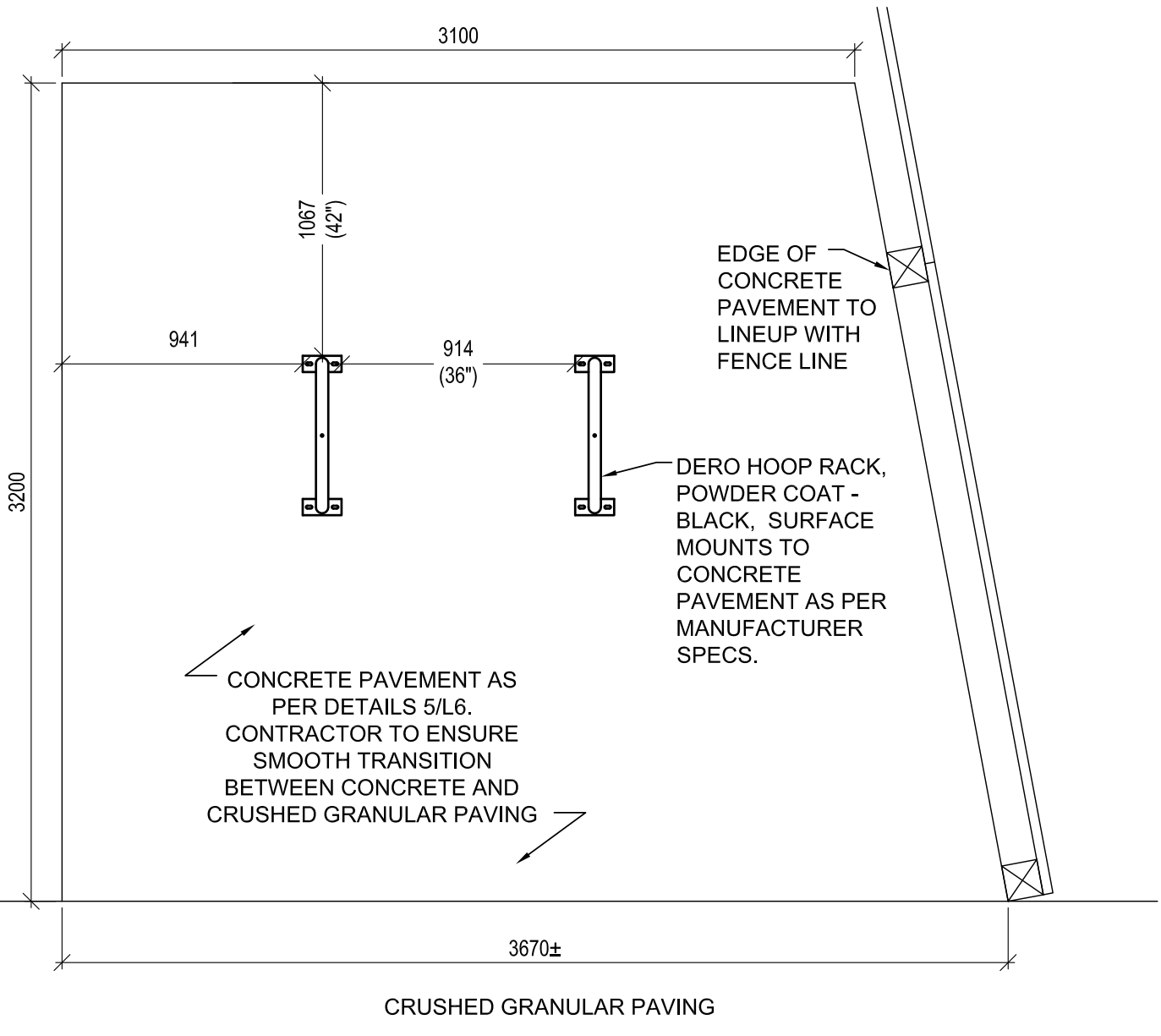
- TIMBER SHALL BE PINNED WITH MINIMUM OF TWO (2) 19mm DIA. REBAR @ MAX. 1200mm O.C.
- TIMBER LOGS TO BE DEBARKED AND BE FREE OF ANY JAGGED PROTRUSIONS AT LONGEST LENGTHS POSSIBLE.
- CONTRACT ADMINISTRATOR SHALL REVIEW TIMBER LOG EDGING PRIOR TO INSTALLATION



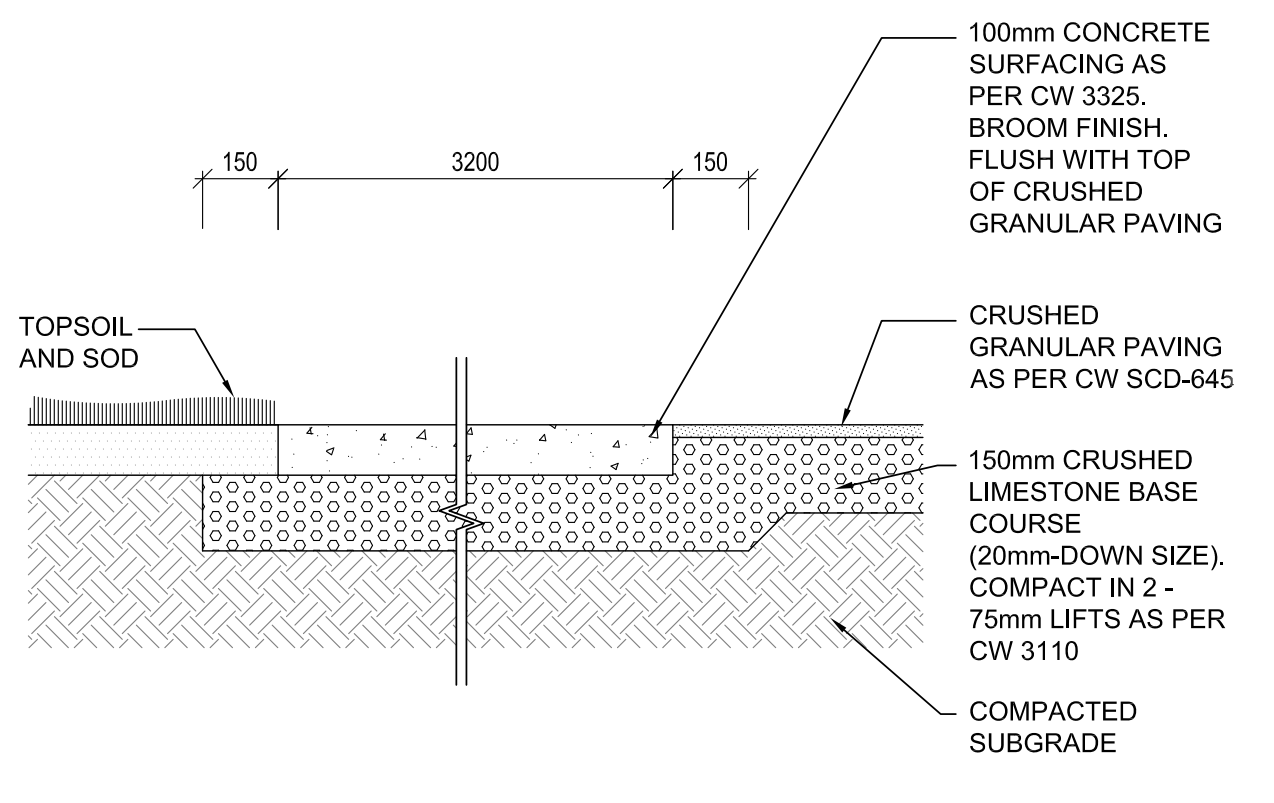
2
L6 **BOULDER EDGE AT PATH SECTION**
SCALE - 1 : 15



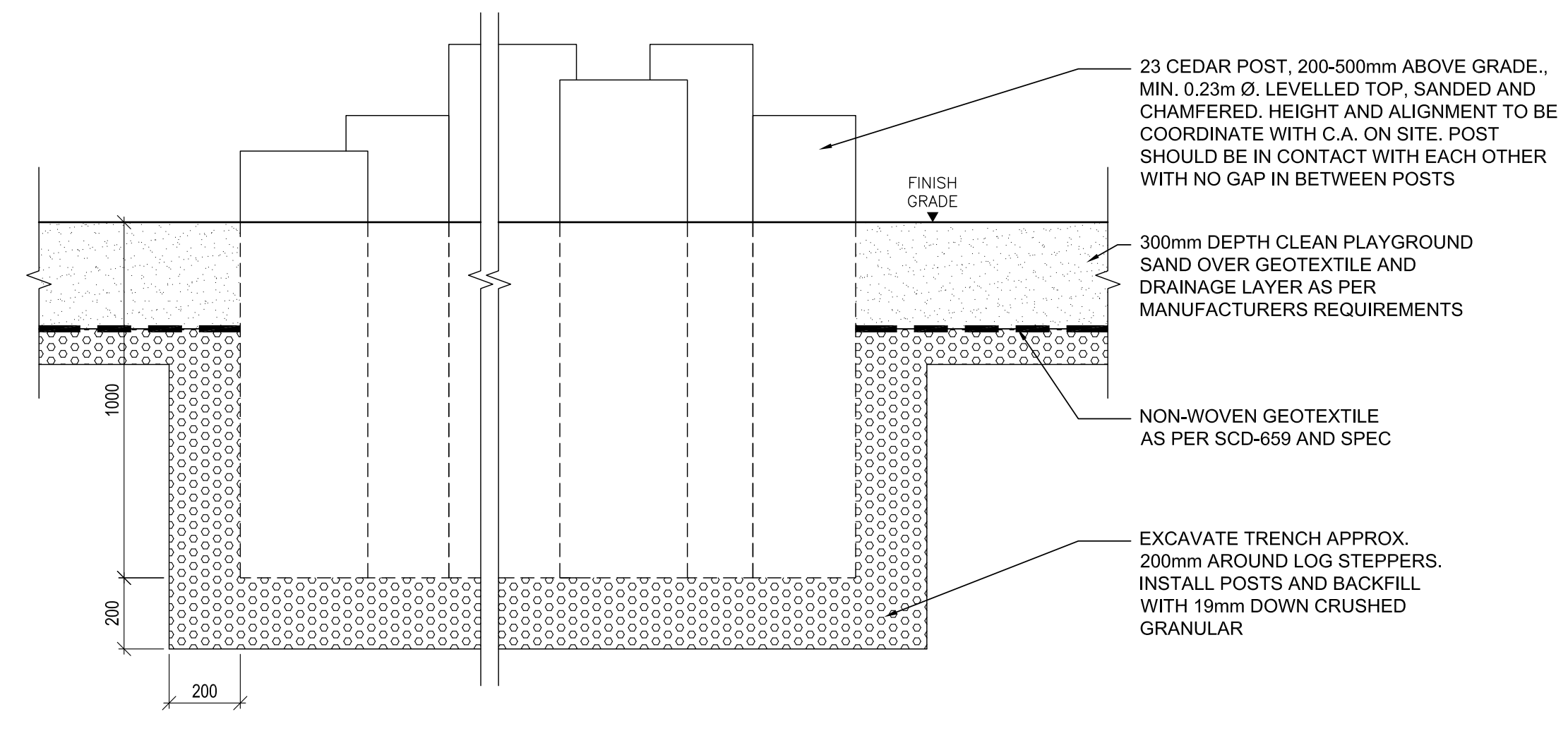
3
L6 **TIMBER EDGE AT PATH SECTION**
SCALE - 1 : 15



4
L6 **BIKE RACK DETAILS**
SCALE - 1 : 25



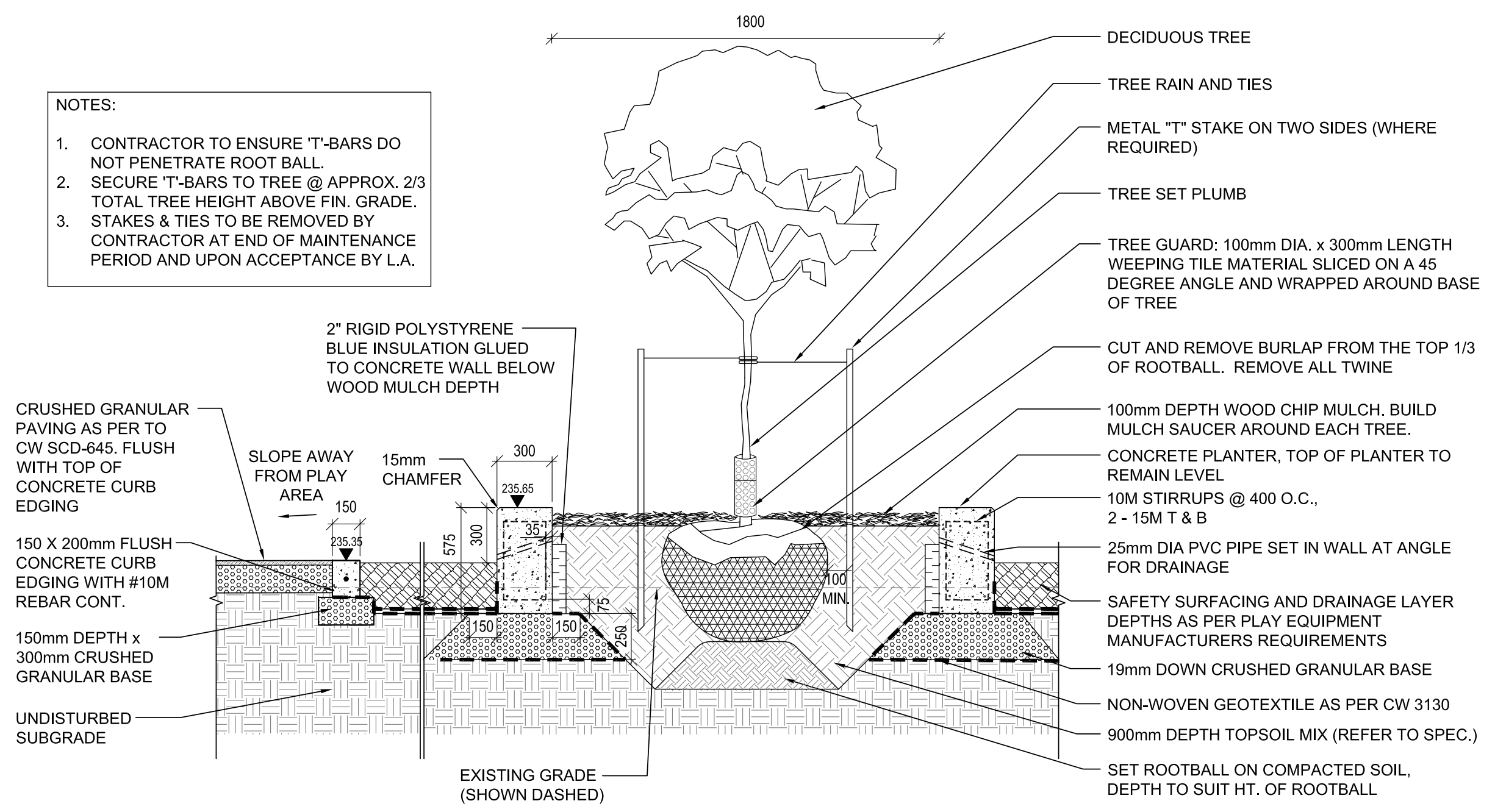
5
L6 **CONCRETE PAVEMENT DETAILS**
SCALE - 1 : 15



6
L6 **LOG STEPPERS DETAILS**
SCALE - 1 : 15

NOTES:

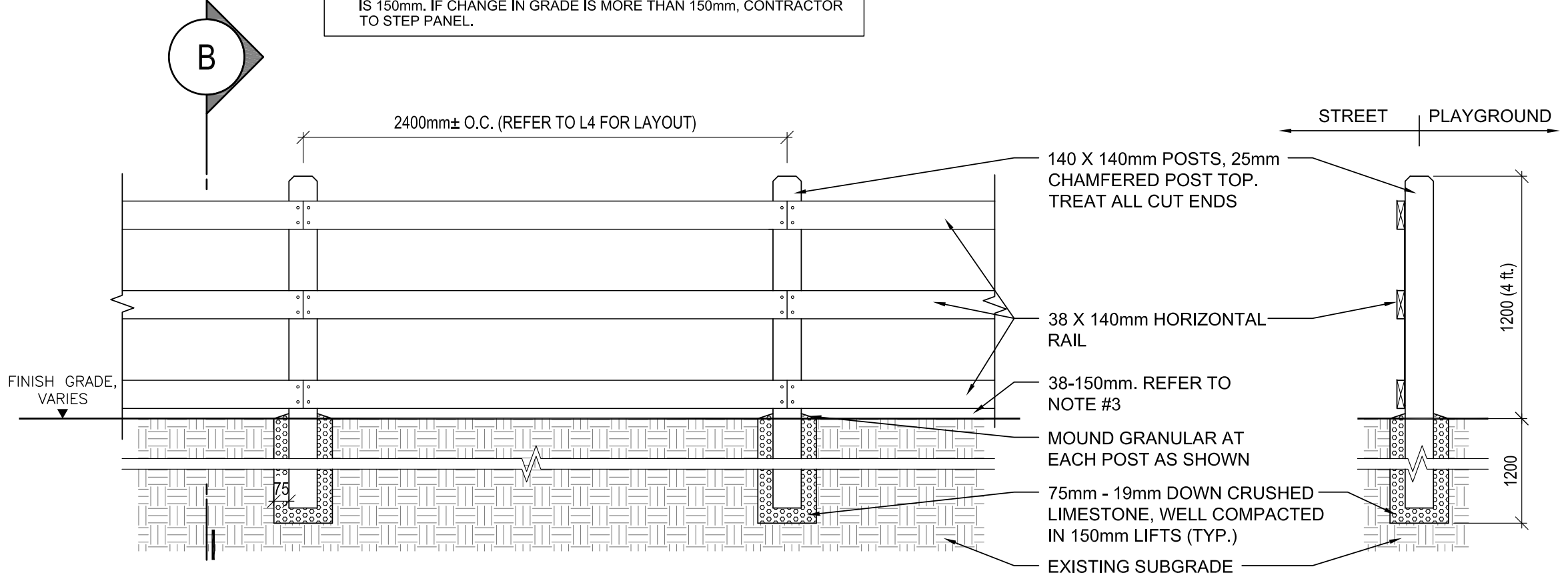
- CONTRACTOR TO ENSURE T-BARS DO NOT PENETRATE ROOT BALL.
- SECURE T-BARS TO TREE @ APPROX. 2/3 TOTAL TREE HEIGHT ABOVE FIN. GRADE.
- STAKES & TIES TO BE REMOVED BY CONTRACTOR AT END OF MAINTENANCE PERIOD AND UPON ACCEPTANCE BY L.A.



7
L6 **FLUSH CONCRETE CURB EDGING & CONCRETE RAISED PLANTER SECTIONS**
SCALE - 1 : 25

NOTES:

- ALL LUMBER TO BE PRESSURE TREATED CEDAR TONE.
- ALL FASTENERS TO BE COATED FOR USE WITH P.T. ACQ LUMBER.
- FENCE PANELS TO BE LEVEL, ADJUST GAP BETWEEN FENCE AND GRADE TO ACHIEVE LEVEL PANELS. MIN. GAP IS 38mm AND MAX. GAP IS 150mm. IF CHANGE IN GRADE IS MORE THAN 150mm, CONTRACTOR TO STEP PANEL.



A **ELEVATION (STREET SIDE)**
SCALE - 1 : 25

B **SECTION**
SCALE - 1 : 25

8
L6 **TIMBER SPLIT RAIL FENCE DETAILS**
SCALE - AS SHOWN

NOTES:

- SHOP DRAWINGS TO BE SUBMITTED FOR ALL METAL FABRICATION WORK. TO BE REVIEWED BY C.A.
- SUB-GRADE, SUB-BASE AND BASE COURSE CONSTRUCTION AS PER CW 3110-R18.
- GEOTEXTILE FABRIC AS PER CW 3130-R4.
- PARK PATH CRUSHED LIMESTONE AS PER CW SCD-645 AND CW 3110-R18.
- CONCRETE WROK AS PER CW 3310-R15 AND CW 3325-R5.
- TOPSOIL AND SOD AS PER CW 3510-R9 AND CW 3540-R5.

| | | | |
|-----|----------------|-------------------|----|
| 0 | 2014 / 08 / 06 | ISSUED FOR TENDER | CO |
| REV | YY / MM / DD | DESCRIPTION | BY |

A. SECTION LETTER OR DETAIL NUMBER.
 B. DRAWING WHERE SECTION OR DETAIL IS DRAWN,
 OR
 DRAWING WHERE SECTION OR DETAIL IS INDICATED,
 --- SECTION OR DETAIL SHOWN ON SAME DRAWING.

SCATLIFF + MILLER + MURRAY Inc.
 TEL 204 927-3444 FAX 204 927-3443
 1120 - 201 PORTAGE AVE. WINNIPEG, MB, CANADA

CLIENT **CITY OF WINNIPEG**

PROJECT **LEGION MEMORIAL PARK PLAYGROUND**

TITLE **CONSTRUCTION DETAILS**

| | | | |
|---------|----------|------------------|-------------|
| DESIGN | DRAWN | DATE - Y / M / D | SCALE |
| AJ / TL | WF / TL | 2014/08/06 | AS SHOWN |
| CHECKED | APPROVED | JOB NO. | DRAWING NO. |
| CO / AJ | CO | 790-2014 | L6 |